

STIHL GHE 135 L, GHE 140 L

STIHL®

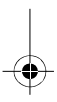
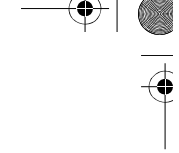
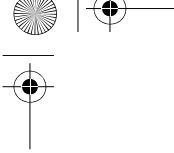
EN Instruction manual



GHE 135.0 L GHE 140.0 L

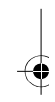
B **AUS/NZ**



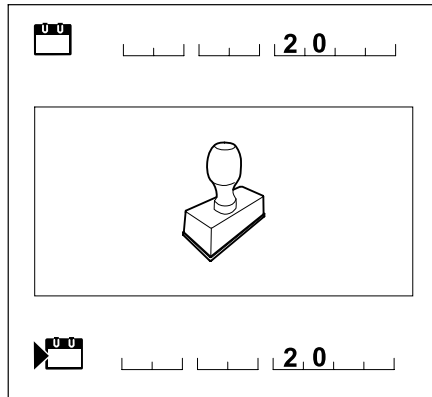
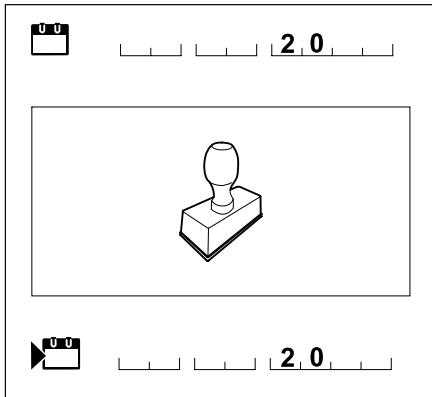
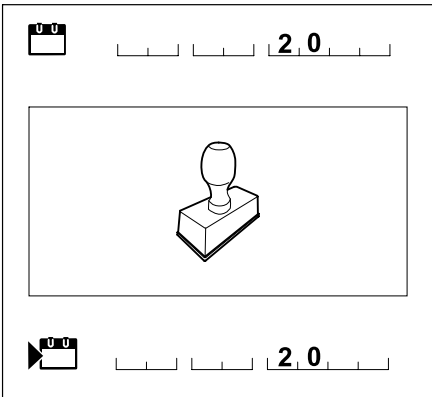
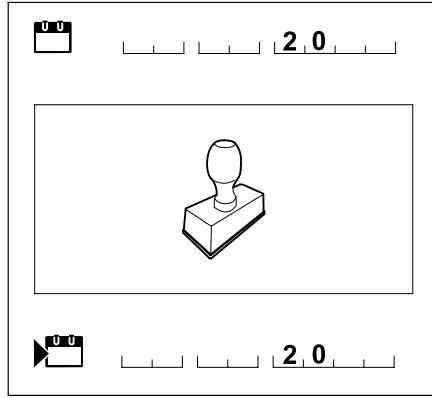
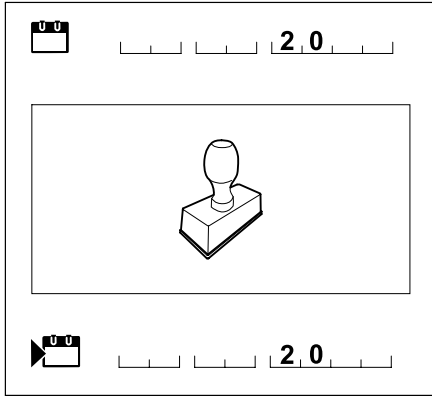
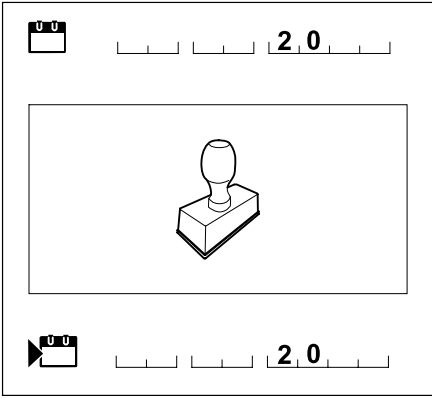
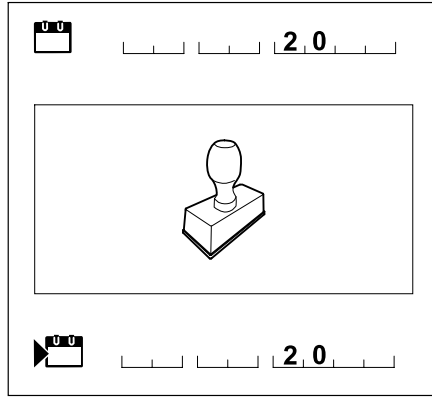
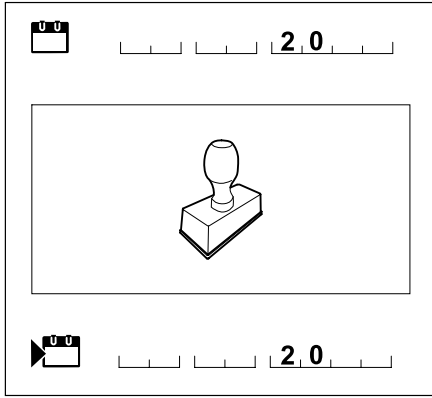
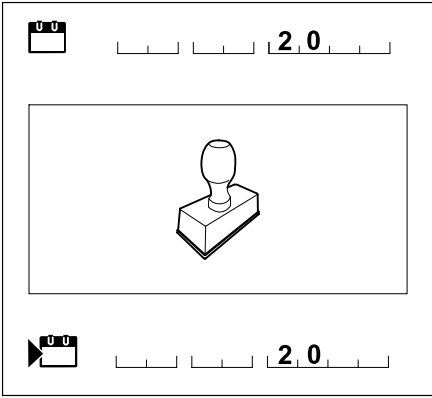


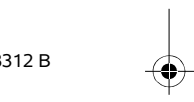
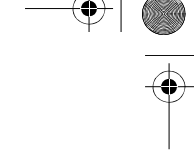
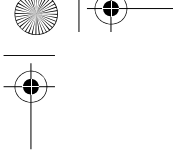
0478 201 8312 B. A19. Cle.

© 2019 STIHL Tirol GmbH



1





Dear Customer,

Thank you for choosing STIHL. We develop and manufacture our quality products to meet our customers' requirements. The products are designed for reliability even under extreme conditions.

STIHL also stands for premium service quality. Our specialist dealers guarantee competent advice and instruction as well as comprehensive service support.

We thank you for your confidence in us and hope you will enjoy working with your STIHL product.



Dr. Nikolas Stihl

**IMPORTANT: READ BEFORE USE AND
KEEP IN A SAFE PLACE.**

1. Table of contents

Notes on the instruction manual	4	Safety devices	16
General	4	Motor restart inhibitor	16
Instructions for reading the instruction manual	4	Shredder box	16
Machine overview	5	Operating the machine	16
For your safety	6	Electrical connection of garden shredders	16
General	6	Connecting the power cable	16
Warning – dangers caused by electrical current	6	Disconnecting the power cable	16
Clothing and equipment	7	Strain relief	16
Transporting the machine	7	Inserting the shredder bag	17
Before operation	7	Removing the shredder bag	17
Working with your machine	8	Switching on the garden shredder	17
Maintenance and repairs	9	Switching off the garden shredder	18
Storage for prolonged periods without operation	10	Recommencing operation following a blockage	18
Disposal	10	Shredding	18
Description of symbols	10	Folding in the machine GHE 140 L	19
Standard equipment	12	Folding out the machine GHE 140 L	19
Preparing the machine for operation	13	Maintenance	19
Installing the wheels and feet	13	Adjusting the counterplate	19
Assembling the machine (GHE 135 L)	14	Cleaning the machine	20
Storing the Allen key	14	Service intervals	20
Notes on working with the machine	15	Electric motor and wheels	20
What material can be processed?	15	Storage and winter break	20
What material cannot be processed?	15	Transport	20
Maximum branch diameter	15	Pulling or pushing the garden shredder	21
Feeding the garden shredder	15	Lifting or carrying the garden shredder	21
Correct motor load	15	Transporting the garden shredder on a load floor	21
Overload protection	15	Minimising wear and preventing damage	22
When the blade roller blocks	15	Environmental protection	22
		Technical specifications	22
		Troubleshooting	23
		Service schedule	24

Handover confirmation	24
Service confirmation	24

2. Notes on the instruction manual

2.1 General

This instruction manual constitutes **original manufacturer's instructions** in the sense of EC Directive 2006/42/EC.

STIHL is continually striving to further develop its range of products; we therefore reserve the right to make alterations to the form, technical specifications and equipment level of our standard equipment.

For this reason, the information and illustrations in this manual are subject to alterations.

This instruction manual may describe models that are not available in all countries.

This instruction manual is protected by copyright. All rights reserved, especially the right of reproduction, translation and processing using electronic systems.

2.2 Instructions for reading the instruction manual

Illustrations and texts describe specific operating steps.

All symbols which are affixed to the machine are explained in this instruction manual.

Viewing direction:

Viewing direction when **left** and **right** are used in the instruction manual: the user is standing behind the machine (working position).

Section reference:

References to relevant sections and subsections for further descriptions are made using arrows. The following example shows a reference to a section: (⇒ 4.)

Designation of text passages:

The instructions described can be identified as in the following examples.

Operating steps which require intervention on the part of the user:

- Release screw (1) using a screwdriver, operate lever (2)...

General lists:

- Use of the product for sporting or competitive events

Texts with added significance:

Text passages with added significance are identified using the symbols described below in order to especially emphasise them in the instruction manual:



Danger

Risk of accident and severe injury to persons. A certain type of behaviour is necessary or must be avoided.



Warning

Risk of injury to persons. A certain type of behaviour prevents possible or probable injuries.



Caution

Minor injuries or material damage can be prevented by a certain type of behaviour.



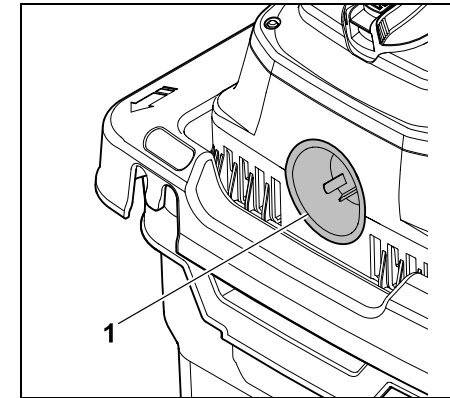
Note

Information for better use of the machine and in order to avoid possible operating errors.

Illustrations with text passages:

Operating steps relating directly to the illustration can be found immediately after the illustration, with a corresponding reference to the item numbers.

Example:



Connect the mains cable connector to mains plug (1).

Texts relating to illustrations:

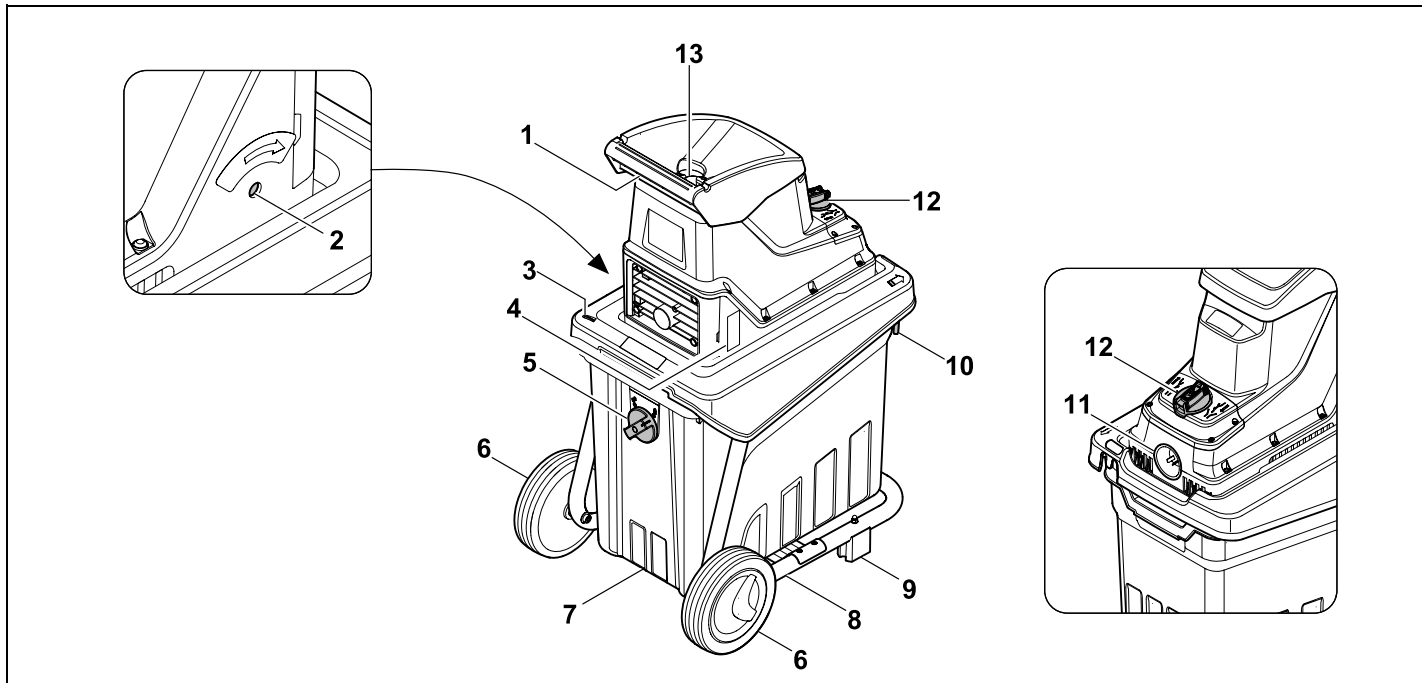
Illustrations relating to use of the machine can be found in the front of this instruction manual.

The camera symbol serves to link the figures on the illustration pages with the corresponding text passages in the instruction manual.



3. Machine overview

EN



- | | |
|---------------------------------|--|
| 1 Handle | 5 Shredder bag locking switch |
| 2 Counterplate adjustment screw | 6 Wheels |
| 3 Holder for Allen key | 7 Shredder bag |
| 4 Rating plate | 8 Wheel carrier |
| | 9 Foot |
| | 10 Release for folding-in mechanism
(GHE 140 L) |
| | 11 Mains connection |
| | 12 On/off switch (rotational direction) |
| | 13 Feed opening |

4. For your safety

4.1 General



These safety regulations must be observed when working with the machine.



Read the entire instruction manual before using the machine for the first time. Keep the instruction manual in a safe place for future reference.

These safety precautions are essential for your safety, however the list is not exhaustive. Always use the machine in a reasonable and responsible manner and be aware that the user is responsible for accidents involving third parties or their property.

Make sure that you are familiar with the controls and use of the machine.

The machine must only be used by persons who have read the instruction manual and are familiar with operation of the machine. The user should seek expert and practical instruction prior to initial operation. The user must receive instruction on safe use of the machine from the vendor or another expert.

During this instruction, the user should be made aware that the utmost care and concentration are required for working with the machine.

Residual risks persist even if you operate this machine according to the instructions.



Risk of death from suffocation!

Packaging material is not a toy - danger of suffocation! Keep packaging material away from children.

Only give or lend the machine, including any accessories, to persons who are familiar with this model and how to operate it. The instruction manual forms part of the machine and must always be provided to persons borrowing it.

Children, persons with impaired physical, sensory or mental faculties or those lacking the appropriate experience, or persons who are not familiar with the instructions, must never be allowed to use the machine.

Never allow children under the age of 16 to use the machine. Local regulations may specify a minimum age for users.

The machine must only be operated by persons who are well rested and in good physical and mental condition. If your health is impaired, you should consult your doctor to determine whether working with the machine is possible. The machine should not be operated after the consumption of alcohol, drugs or medications which impair reactions.

The machine is intended for private use.

Caution – risk of accident!

STIHL garden shredders are suitable for shredding branch material and plant trimmings. Their use for other purposes is not permitted and may be dangerous or result in damage to the machine.

The garden shredder must not be used (incomplete list):

- for any other materials (e.g. glass, metal).

- for tasks other than those described in this instruction manual.
- for the preparation of foodstuffs (e.g. crushing ice, mashing pulp).

For safety reasons, any modification to the machine, except the proper installation of accessories approved by STIHL, is forbidden and results in voiding of the warranty cover. Information regarding approved accessories can be obtained from your STIHL specialist dealer.

In particular, any tampering with the machine which increases the power output or speed of the engine or motor is forbidden.

It is not permitted to transport objects, animals or persons, particularly children, on the machine.

Particular care is required during use in public green spaces, parks, sports fields, along roads and in agricultural and forestry businesses.

4.2 Warning – dangers caused by electrical current



Warning: Risk of electric shock!

Particularly important for electrical safety are the power cable, mains plug, On / Off switch and electric cable. Damaged cables, connectors and plugs, or electric cables that do not conform to regulations must not be used, to prevent any risk of electric shocks.

Therefore, check the electric cable regularly for signs of damage or ageing (brittleness).



Only operate machine with fully uncoiled power cable.

Extension reels must always be fully unwound before use.

Never use a damaged extension cable. Replace defective cables with new ones and never repair extension cables.

If the power cable or extension cable is damaged during operation, immediately disconnect the power cable or extension cable from the power supply. Never touch the damaged power cable or extension cable.

Never use the machine if the cables are damaged or worn. Check the power cable in particular for damage and ageing.

Maintenance and repair work on power cables must only be performed by specially qualified technicians.

Danger of electric shock!

Do not connect a damaged cable to the mains and only touch a damaged cable once it has been disconnected from the mains.

Only touch the cutting units (blades) when the machine is disconnected from the mains.

Always ensure that the power cables used are adequately protected by a fuse.



Do not work in the rain or in a wet environment.

Only use extension cables that are insulated against moisture for outdoor use which are suitable for use with the machine (⇒ 10.1).

Detach electric cables at the plug and socket and not by pulling on the electric cable.

Do not leave the machine unprotected in the rain.

It must be noted that current fluctuations can damage the machine when it is connected to a power generator.

Only connect the machine to a power supply that is protected by means of a residual current-operated protective device with a release current of a maximum of 30 mA. Your electrician can provide further information.

4.3 Clothing and equipment



Always wear sturdy footwear with high-grip soles when working. Never work barefoot or, for example, in sandals.



Also always wear sturdy gloves when working and in particular also when performing maintenance operations or transporting the machine.



Always wear safety glasses and hearing protection when working. Wear them at all times.



Wear suitable, close-fitting clothing when working with the machine, e.g. overalls, but not work coats. Do not wear

scarves, ties, jewellery, clothing with dangling straps or cords or other protruding articles of clothing when working with the machine.

Long hair must be tied up and secured (headscarf, cap, etc.) at all times when operating or performing work on the machine.

4.4 Transporting the machine

Always wear gloves in order to prevent injuries due to sharp-edged and hot components.

Do not transport the machine with the motor running. Switch off the motor, allow the blades to come to a standstill and disconnect the mains plug prior to transport.

Only transport the machine once the motor has cooled down.

Pay particular attention to the weight of the machine, especially when tilting.

Use suitable loading aids (loading ramps, lifters).

Secure the machine on the load floor using adequately dimensioned fastening material (straps, ropes etc.) at the fastening points described in this instruction manual. (⇒ 12.3)

Push or pull the machine at walking pace only.

When transporting the machine, always observe regional legislation, especially regarding load security and the transport of objects on load floors.

4.5 Before operation

Make sure that only persons who are familiar with the instruction manual are permitted to use the machine.

Observe the local regulations regarding permitted operating times for gardening power tools with combustion engines or electric motors.



All faulty, worn or damaged parts must be replaced before using the machine. Replace any illegible or damaged danger signs and warnings on the machine. Your STIHL specialist has a supply of replacement stickers and all the other spare parts.

Before initial operation, it must be ensured

- that the machine is in good operational condition. This means that the guards must be in place and in good condition.
- that it is connected electrically to a properly installed socket.
- that the insulation of the electric cable, extension cable, plug and connector is in good condition.
- that the complete machine (motor housing, guards, fastening elements etc.) is neither worn nor damaged.
- that there is no shredding material in the machine and that the feed chute is empty.
- that all screws, bolts, nuts and other fastening elements are in place and properly tightened. Tighten any loose screws, bolts and nuts prior to initial operation (observe tightening torques).

Only use the machine out-of-doors and not close to walls or any other solid objects in order to prevent the risk of injuries and property damage (no escape for the user, broken windows, scratched cars etc.).

The machine must be placed in a stable position on firm and level ground.

Make sure that you are familiar with the On / Off switch so that you can react quickly and correctly in any emergency situation.

Before using the machine, check that the shredder box is in proper condition. The machine must not be used with a damaged shredder box (risk of injury). A damaged shredder box must be replaced.

Risk of injury!

Only operate the machine when properly assembled. If parts of the machine (e.g. wheels) are missing, the specified safety distances are no longer maintained and the stability of the machine may also be reduced.

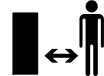
Before using the machine, always carry out a visual check to ensure that it is in good operating condition.

"Good operating condition" means that the machine is fully assembled, in particular:

- Wheel carrier assembly is installed
- Both wheels and both feet are mounted
- All safety devices (inserted shredder bag, STIHL cloverleaf opening, etc.) must be present and functional.

The switch and safety devices installed in the machine must not be removed or bypassed.

4.6 Working with your machine



Never work when animals or persons, particularly children, are in the danger area.

Do not operate the machine in the rain or during thunder storms, particularly when there is a risk of lightning strike.

The risk of accidents is higher if the ground is damp due to increased danger of slipping. Particular caution should be exercised

during working in order to prevent slipping. If possible, avoid using the machine when the ground is damp.

Only work during the day or with good artificial light.

Keep the working area neat and tidy at all times. Remove tripping hazards such as stones, branches, cables etc.

The operator should not stand any higher than the level of the base of the machine.

Starting:

Place the machine in a stable and upright position prior to starting. The machine must never be operated in a horizontal position.

Exercise care when switching on the machine and observe the instructions in the section "Operating the machine". (⇒ 10.)

Do not stand in front of the discharge opening when starting the engine or switching on the motor. There must be no shredding material in the garden shredder when it is started or switched on. Shredding material may be ejected and lead to injuries.

The machine must not be tilted during start-up.

Avoid switching the machine on repeatedly within a short period of time; particularly avoid "playing" with the On / Off switch. Risk of motor overheating.

Owing to the voltage fluctuations caused by this machine during the start-up, other devices connected to the same circuit may be subject to interference in the case of unfavourable power supply conditions. In this case, appropriate steps should be taken (e.g. connection to a different circuit

than the one used by the affected device, or operation of the machine using a circuit with a lower impedance).

Working:

Risk of injury!

Never place your hands or feet above, underneath or on rotating parts.

When the machine is running, never put your face or any other part of your body above the feed chute or in front of the ejection opening. Always keep your head and body away from the feed opening.



Never put your hands or any other part of your body or clothing into the feed chute or ejection chute. There is a considerable risk of injury to eyes, face, fingers, hands etc.

Always maintain your balance and firm footing. Do not stretch forward.

If the machine falls over during operation, immediately switch off the motor and disconnect the mains plug.

Risk of injury:

Shredding material may be ejected back up during operation. Always wear safety glasses and keep your face away from the feed opening.

Never tilt the machine when the engine or motor is running.

Make sure that there is no shredding material blocking the ejection chute, as this could result in a poor shredding performance or kickbacks.

When feeding the garden shredder, pay particular attention to ensuring that no foreign objects such as bits of metal, stones, plastic, glass, etc. get into the

shredding chamber as this could result in damage or kickbacks from the feed chute. Remove blockages for the same reason.

Kickbacks can occur when feeding the garden shredder with branch material. Wear gloves.



STOP

Beware of the cutting tool running on for several seconds before coming to a standstill. Switch off the motor, disconnect the mains plug and allow all rotating tools to reach a complete standstill

- before leaving the machine unattended
- before repositioning, lifting, carrying, tilting, pushing or pulling the machine
- before transporting the machine
- before removing blockages
- before checking or cleaning the machine or before carrying out any other work on it.

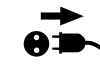
If foreign objects get into the cutting tool or if the machine makes unusual noises or vibrates in an unusual way, switch off the motor immediately and allow the machine to come to rest. Disconnect the mains plug and perform the following steps:

- Check the machine for damage and have any necessary repairs carried out by a technician before restarting and working with the machine.
- Have damaged parts replaced or repaired by a technician; the parts must be of similar quality.

Remove the transparent shredder box and empty if it is completely full of shredding material or if the filling level is preventing shredding material from being ejected.

Before removing the shredder box, switch off the machine and wait until the blade roller has come to a standstill.

4.7 Maintenance and repairs



Before carrying out any maintenance operations (cleaning, repair, etc.) and before checking whether the electric cable is entwined or damaged, park the machine on firm, level ground, switch off the motor and disconnect the mains plug.

Leave the machine to cool down for approx. 5 minutes before performing any maintenance operations.

The power cable must only be repaired or replaced by authorised electricians.

Components or guards that are removed for maintenance operations must be properly reinstalled immediately.

Cleaning:

The complete machine must be cleaned thoroughly following use. (⇒ 11.2)

Never use high-pressure cleaners and do not clean the machine under running water (e.g. using a garden hose).

Do not use aggressive cleaning agents. These can damage plastics and metals, impairing the safe operation of your STIHL machine.

Maintenance operations:

Only maintenance operations described in this instruction manual may be carried out. Have all other work performed by a specialist dealer.

If you do not have the necessary expertise or auxiliary equipment, please **always** contact a specialist dealer.

STIHL recommends that you have

maintenance operations and repairs performed exclusively by a STIHL specialist dealer.

STIHL specialist dealers regularly attend training courses and are provided with technical information.

Only use tools, accessories or attachments approved for this machine by STIHL or technically identical parts.

Otherwise, there may be a risk of accidents resulting in personal injury or damage to the machine. If you have any questions, please consult a specialist dealer.

The characteristics of original STIHL tools, accessories and spare parts are optimally adapted to the machine and the user's requirements. Genuine STIHL spare parts can be recognised by the STIHL spare parts number, by the STIHL lettering and, if present, by the STIHL spare parts symbol. On smaller parts, only the symbol may be present.

Always keep warning and information stickers clean and readable. Damaged or missing stickers must be replaced by new, original plates from your STIHL specialist dealer. If a component is replaced with a new component, ensure that the new component is provided with the same stickers.

Ensure that all nuts, pins, bolts and screws are securely tightened, so that the machine is in a safe operating condition.

Check the entire machine for wear or damage on a regular basis, particularly before extended periods when the machine is not in use (e.g. over winter). For safety reasons, worn or damaged parts must be replaced immediately to ensure that the machine is always in a safe operating condition.

4.8 Storage for prolonged periods without operation

Allow the machine to cool for approx. 5 minutes before storing it in an enclosed space.

Ensure that the machine is protected from unauthorised use (e.g. by children).

Thoroughly clean the machine before storage (e.g. winter break).

Store the machine in good operational condition.

The storage room must be dry, frost-free and lockable.

4.9 Disposal

Waste products can be harmful to people, animals and the environment. They must consequently be disposed of properly.

Consult your recycling centre or your specialist dealer for information on the proper disposal of waste products. STIHL recommends STIHL specialist dealers.

Ensure that old machines are properly disposed of. Render the machine unusable prior to disposal. In order to prevent accidents, always remove the power cable and electric cable to the motor.

5. Description of symbols



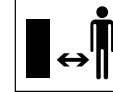
Caution!

Read the instruction manual before initial use.



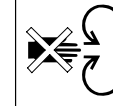
Risk of injury!

Keep other persons out of the danger area.



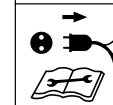
Risk of injury!

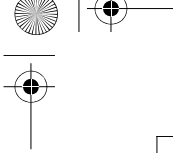
Rotating tools. Keep hands and feet away from apertures when machine is running.



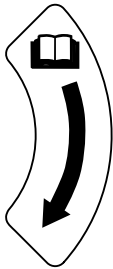
Risk of injury!

Switch off the motor and disconnect the power cable from the machine before working on the cutting tool, before performing maintenance and cleaning work, before checking whether the electric cable is entwined or damaged and before leaving the machine unattended.





Wear hearing protection.
 Wear safety glasses.
 Wear work gloves.



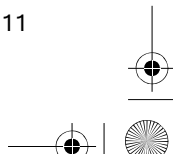
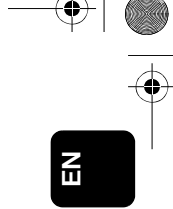
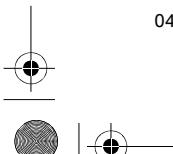
Rotational direction for
 adjusting the counterplate.



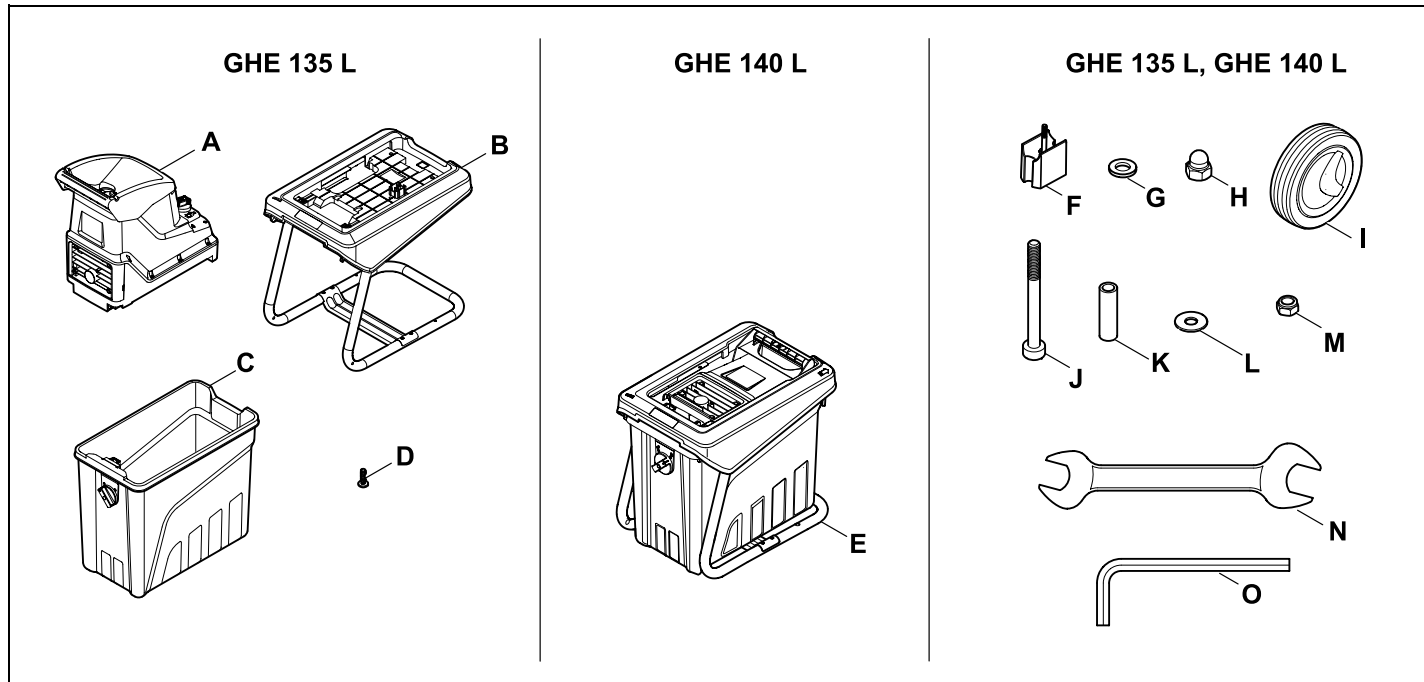
Shredder box locked in
 place



Shredder box unlocked



6. Standard equipment



Item	Designation	Qty.	Item	Designation	Qty.
	GHE 135 L		I	Wheel	2
A	Upper machine	1	J	Bolt M8 x 85	2
B	Wheel carrier	1	K	Sleeve	2
C	Shredder bag	1	L	Washer A8	6
D	Screw 5 x 16	4	M	Lock nut M8	2
	GHE 140 L		N	Open-ended spanner	1
E	Basic unit with shredder bag	1	O	Allen key	1
	GHE 135 L, GHE 140 L		•	Instruction manual	1
F	Foot	2			
G	Washer A6	2			
H	Cap nut M6	2			

7. Preparing the machine for operation

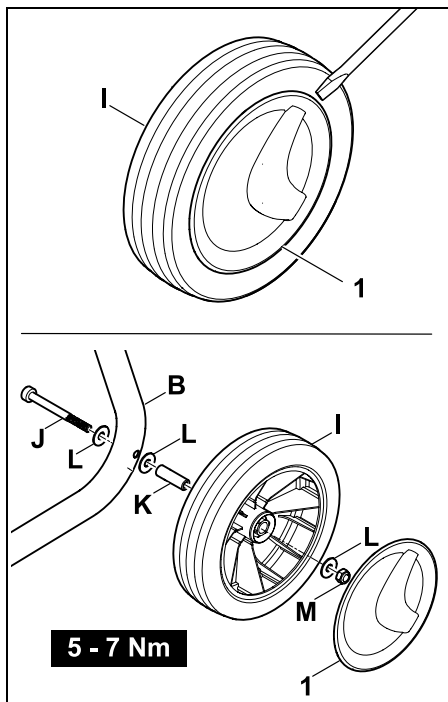
7.1 Installing the wheels and feet

GHE 140 L:

- Fold out the machine. (⇒ 10.12)

Installing the wheels:

GHE 135 L, GHE 140 L:

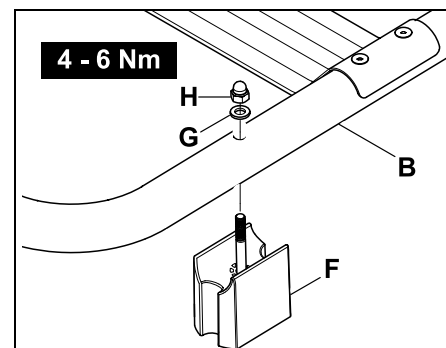


- Remove the shredder bag. (⇒ 10.6)
- Lever wheel cap (1) from wheel (I) using a screwdriver.

- Insert bolt (J) with washer (L) from the inside through the bore in wheel carrier (B). Push washer (L) and sleeve (K) onto bolt (J). Push wheel (I) onto sleeve (K). Fit nut (M) with washer (L) and tighten to 5-7 Nm.

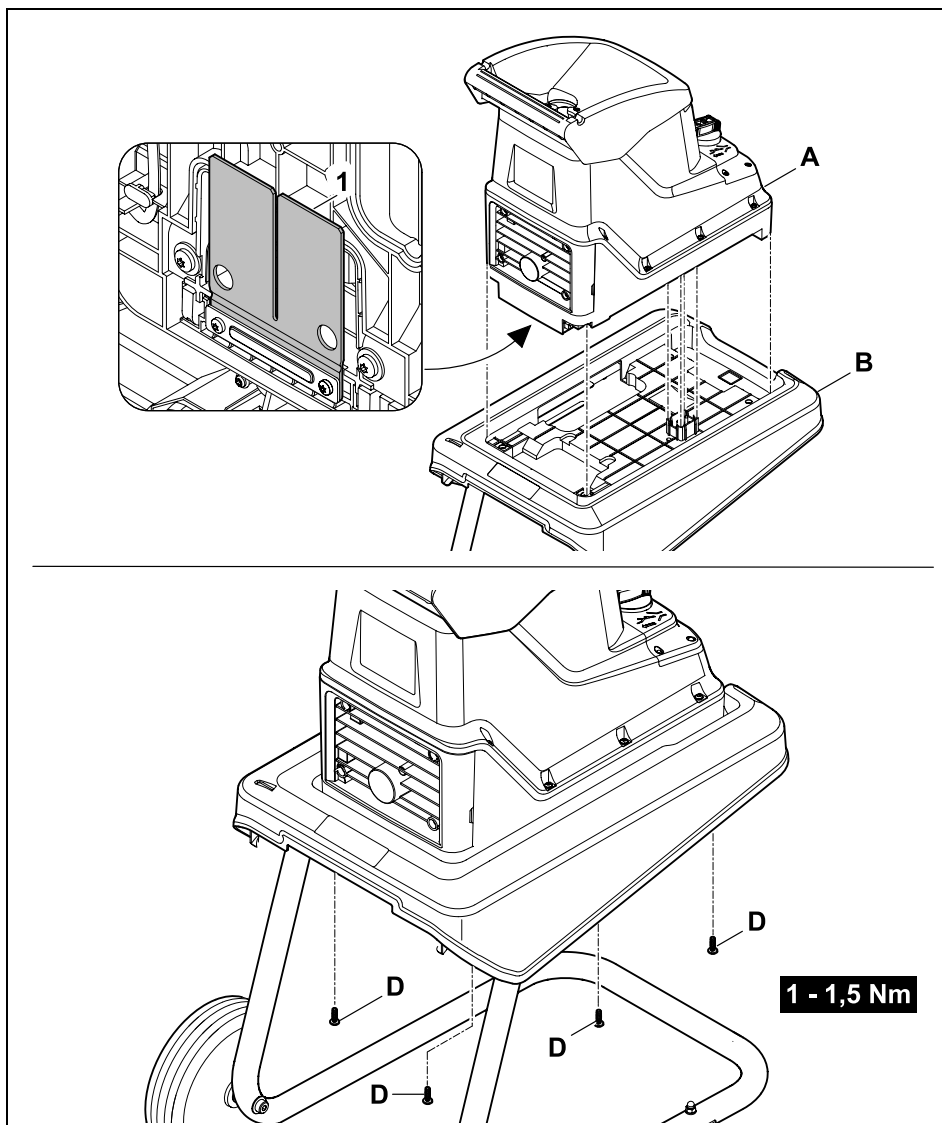
- Centre wheel cap (1) on wheel (I) and press in until wheel cap (1) engages.
- Repeat this procedure on the other side.

Installing the feet:



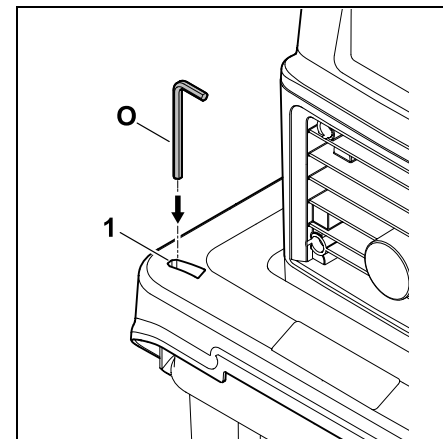
- Insert the bolt of foot (F) through the bore in wheel carrier (B) from below. Fit washer (G) on the bolt, screw on nut (H) and tighten to 4-6 Nm.
- Repeat this procedure on the other side.

7.2 Assembling the machine (GHE 135 L)



- Remove the shredder bag. (⇒ 10.6)
- Position upper machine (A) on wheel carrier (B) and carefully centre. Make sure that rubber cover (1) is positioned correctly – rubber cover (1) must not be clamped between the upper machine and the black cover on the wheel carrier. Install upper machine (A) on wheel carrier (B) by screwing in four screws (D). Tighten screws (D) to 1-1,5 Nm.
- Insert the shredder bag. (⇒ 10.5)

7.3 Storing the Allen key



- Push Allen key (O) into holder (1) on the machine.

8. Notes on working with the machine

8.1 What material can be processed?

Tree and hedge cuttings, thujas, spruce branches, branches with side shoots and twigs with leaves, greens, berry bushes, bundled flower material which is not too damp.

i Tree and hedge cuttings should be processed when fresh, as the shredding performance is better with fresh than with dried-out or wet material.

8.2 What material cannot be processed?



Stones, glass, bits of metal (wire, nails, etc.) or plastic must not be fed into the garden shredder.

As a general rule:

Any materials that do not belong on the compost heap should not be processed using the garden shredder.

8.3 Maximum branch diameter

The data relates to freshly cut branch material:

Maximum branch diameter
GHE 135 L: 35 mm

GHE 140 L: 40 mm

8.4 Feeding the garden shredder

Even branches laden with side shoots and twigs can be processed thanks to the STIHL cloverleaf opening.

i Cut up thick branches and branches with numerous side shoots beforehand using loppers.

In order to prevent the garden shredder becoming blocked, tough shredding material containing earth should be combined with dry branches.

Only feed the garden shredder at maximum motor speed.



Risk of injury!

Hold branches being drawn in by the shredder lightly and guide them to just before the feed opening. Do not grip branches firmly or pull them back out of the shredder.

- Guide tree and hedge cuttings as well as branch material slowly through the feed opening to the blade roller. Branches are drawn into the shredder without kickback.
- Run the machine until empty after each work operation.

8.5 Correct motor load

Always feed the garden shredder continuously and steadily.

8.6 Overload protection

If an overload of the motor occurs during operation, the built-in automatic reverse changes the rotational direction of the blade roller in an attempt to remove the

blockage automatically. If the blockage cannot be removed after 3 changing rotational direction, the built-in overload protection automatically switches off the motor.

The garden shredder can be started up again after a cooling period of approx. 10 minutes.

Frequent triggering of the overload protection may be attributable to the following causes:

- Unsuitable electric cable (⇒ 10.1)
- Power overload
- Machine overload due to excessive quantities of shredding material

8.7 When the blade roller blocks

An overloaded motor, too much shredding material, foreign objects or branches that are too thick will cause the rotational direction of the blade roller to change automatically after a short period of time, resulting in the blade roller coming to a stop.



The blade roller changes rotational direction automatically when overloaded.

- If the blade roller stops, operate the Off switch immediately.
- Allow the machine to cool and switch on again as described. (⇒ 10.9)



9. Safety devices

9.1 Motor restart inhibitor

The machine can only be started via the switch and not by plugging the electric cable into the mains socket.

9.2 Shredder box

The garden shredder can only be switched on with the shredder box installed and locked in place.

Once inserted, the shredder box prevents access to the rotating blade roller during operation.

10. Operating the machine

10.1 Electrical connection of garden shredders



Risk of injury!

Observe the instructions in the "Warning – dangers caused by electrical current" section (⇒ 4.2).

Power supply and operating voltage must correspond (see rating plate).

The power cable must be adequately protected by fuse in line with the respective national electrical installation regulations. (⇒ 15.)

Only electric cables which are no lighter than rubber sheathed cables **H07 RN-F** may be used.

The minimum cross-section of the power cable must be **3 x 1.5 mm²** for a length of **up to 25 m** or **3 x 2.5 mm²** for a length of **over 25 m**.

The plug connections must be splash proof.

Unsuitable extension cables lead to a loss of power and may result in damage to the motor.

Extension cable plugs and connectors must conform to the standard **AS/NZS 3112**.

Use a splash-proof coupling box (protection class IPX4) when using an extension cable.

This machine is intended for operation with a power supply having a system impedance of Z_{\max} at the transfer point (house connection) of maximum **0.49 ohms at 50 Hz**.

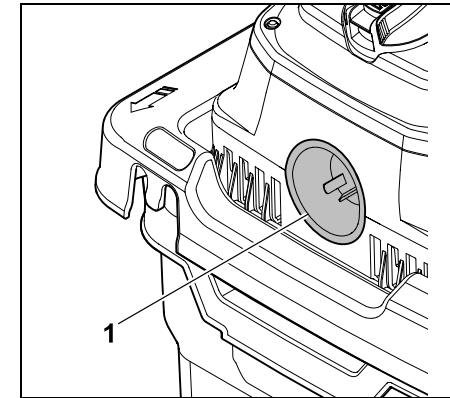
The user must ensure that the machine is only operated with a power supply which meets this requirement.

If necessary, this information can be obtained from the local electric power company.



Your electrician can provide further information on mains connection.

10.2 Connecting the power cable



- Connect the mains cable connector to mains plug (1).
- Attach the mains cable to the strain relief. (⇒ 10.4)

10.3 Disconnecting the power cable

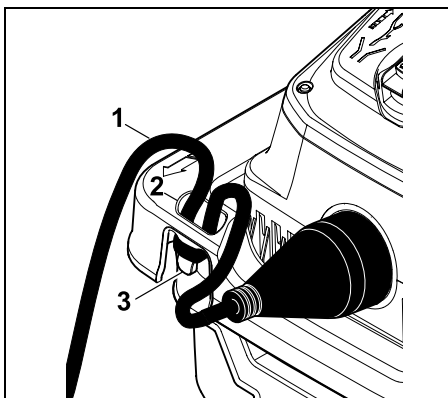
- Detach the strain relief. (⇒ 10.4)

In order to prevent damage to the power cable, it must only be disconnected by pulling at the connector. Never pull at the cable.

10.4 Strain relief

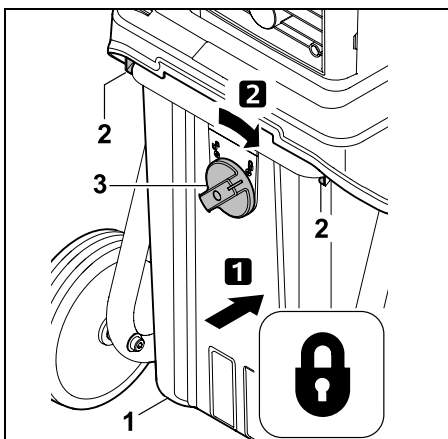
During work, the strain relief prevents any unintentional disconnection of the electric cable and any resulting damage to the mains connection on the machine.

For this reason, the electric cable must be fed through the strain relief.



- Connect the power cable. (⇒ 10.2)
- Form a loop in electric cable (1) and guide it through opening (2).
- Then push the loop over hook (3) and pull it tight.

10.5 Inserting the shredder bag



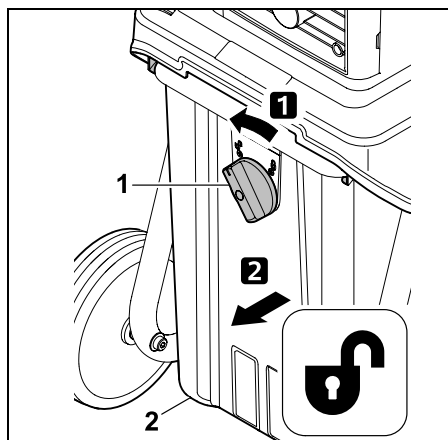
- Insert shredder bag (1) at two guides (2) and push in as far as it will go.

- Turn locking switch (3) to the right as far as it will go and secure the shredder bag.



The garden shredder can only be switched on with the shredder bag locked in place.

10.6 Removing the shredder bag



- Switch off the machine. (⇒ 10.8)
- Turn locking switch (1) to the left as far as it will go.
- Pull out shredder bag (2).



The garden shredder cannot be operated without the shredder bag.

10.7 Switching on the garden shredder

GHE 140 L:

- Fold out the machine and lock in place. (⇒ 10.12)

GHE 135 L, GHE 140 L:

- Insert the shredder bag. (⇒ 10.5)

- Connect the machine to the mains. (⇒ 10.1)

On/off switch (1) with integrated locking slide (2) prevents direct switching from one rotational direction to the other.

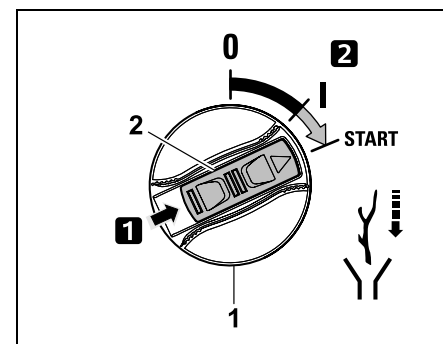


Before switching the rotational direction, switch off the machine and wait for the blade roller to come to a standstill.

Feed position



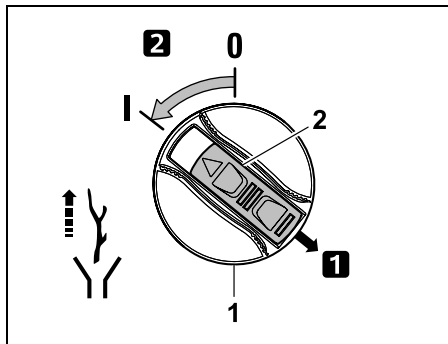
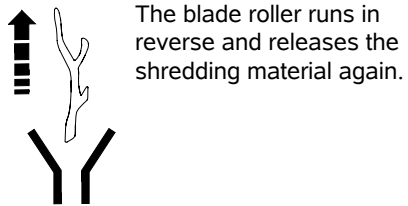
The blade roller draws the shredding material in and cuts it.



- Turn on/off switch (1) to the 0 position.
- Push locking slide (2) upwards.
- To start the motor, turn on/off switch (1) to the right against spring pressure as far as it will go to the **START** position. The motor starts.

- Release the rotary switch. This returns automatically to the I position. The motor continues to run.

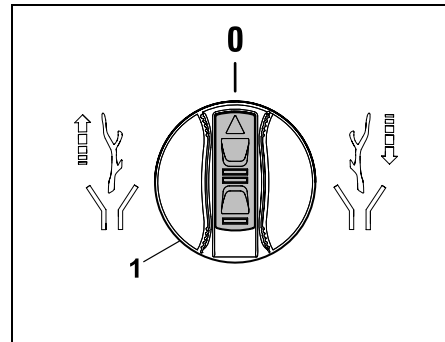
Reverse position



- Turn on/off switch (1) to the **0** position.
- Push locking slide (2) downwards.
- Turn on/off switch (1) to the left against spring pressure as far as it will go to the **I** position and hold. The motor runs.

i The rotary switch must be held in this position, as otherwise it automatically returns to the centre position (**0** position).

10.8 Switching off the garden shredder



- Set on/off switch (1) to the **0** position.

The garden shredder motor is switched off and braked automatically.

10.9 Recommencing operation following a blockage

! Risk of injury caused by ejected shredding material. Keep your hands and head away from the feed opening. Do not look into the machine!

The garden shredder features an automatic reverse. In the event of a blocked blade roller, the machine automatically engages reverse in order to free the blockage.

The shredding material is released again.

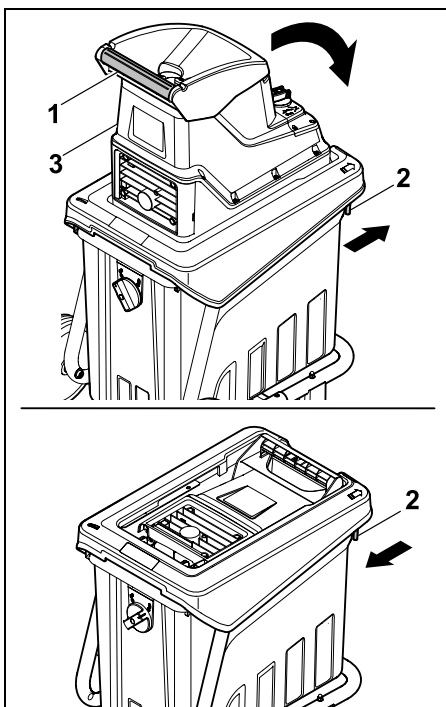
i Once the blockage has been removed, only feed the garden shredder at maximum motor speed.

- Put on thick gloves, safety glasses and hearing protection.
- Connect the power cable to the garden shredder. (⇒ 10.2)
- Switch on the garden shredder. (⇒ 10.7)
- Wait until the garden shredder has reached its maximum speed (idling speed).
- Feed the garden shredder with shredding material in the correct way. (⇒ 8.4)
- Switch off the garden shredder. (⇒ 10.8)

10.10 Shredding

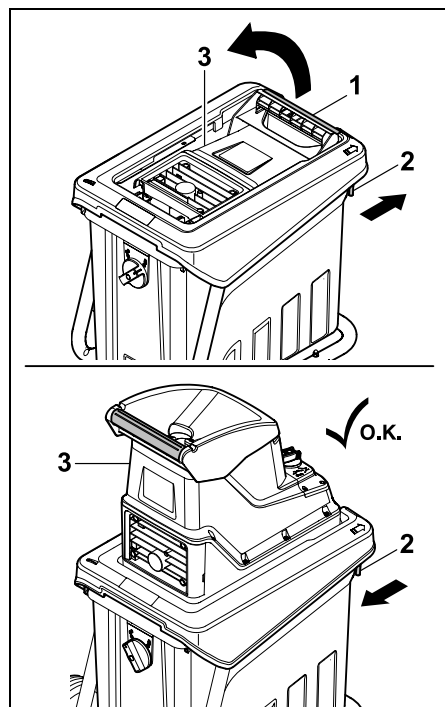
- Push the garden shredder onto firm and level ground and set down safely.

10.11 Folding in the machine GHE 140 L



- Disconnect the machine. (⇒ 10.3)
- Hold the machine with one hand on handle (1).
- Pull locking lever (2) to the stop in the direction of the arrow and hold. The upper machine is released.
- Slowly guide upper machine (3) downwards to the stop and hold.
- Release locking lever (2) and ensure that the upper machine is securely locked in place.

10.12 Folding out the machine GHE 140 L



- Hold the machine down with one hand on handle (1).
- Pull locking lever (2) to the stop in the direction of the arrow and hold. The upper machine is released.
- Slowly pull upper machine (3) upwards to the stop and hold.
- Release locking lever (2) and ensure that the upper machine is securely locked in place.

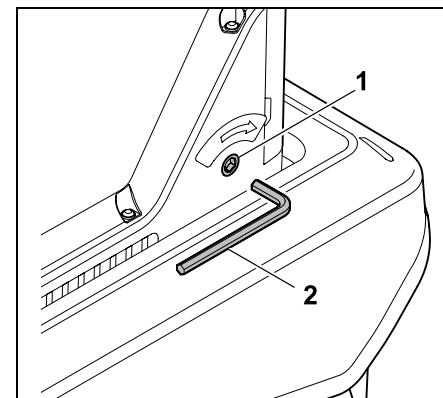
11. Maintenance

! Risk of injury: Carefully read the section "For your safety" (⇒ 4.), particularly the subsection "Maintenance and repairs" (⇒ 4.7), and follow all safety instructions exactly before performing any maintenance or cleaning operations on the machine.

Disconnect the mains plug before performing any maintenance operations.

11.1 Adjusting the counterplate

! The machine must be free of shredding material.



Step 1

- Switch on the machine (on/off switch in "feed" position). (⇒ 10.7)

Step 2

- With the machine running, slowly turn adjustment screw (1) clockwise using Allen key (2). This presses the counterplate against the blade roller inside the machine. The counterplate is properly adjusted when a few aluminium shavings fall through the ejection chute.

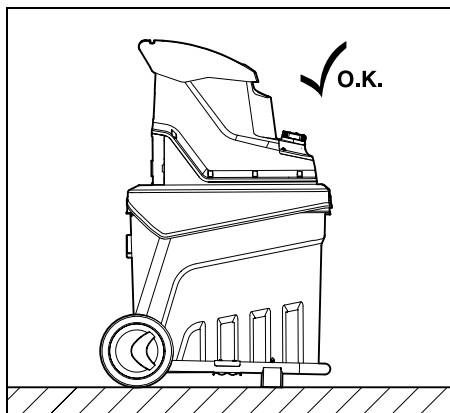
The counterplate is adjusted and the machine is ready for operation.

11.2 Cleaning the machine

Maintenance interval: After each use

Clean the machine thoroughly each time it has been used. Care of the machine will protect it against damage and extend its service life.

It is only permitted to clean the machine in the position shown.



Never spray water onto motor or engine components, seals, bearing points or electrical parts such as switches. This would result in expensive repairs.



If you are unable to remove the dirt and accumulated deposits with a brush, a damp cloth or a stick, STIHL recommends the use of a special cleaner (e.g. STIHL special cleaner).

Do not use aggressive cleaning agents.

Clean the blade discs regularly.

Electric motors are splashproof.

Protect shredding tools, incl. the shredding chamber using a commercially available anti-corrosion agent (e.g. rapeseed oil).

11.3 Service intervals

We recommend that you have your garden shredder serviced **once a year** by a specialist dealer.

STIHL recommends STIHL specialist dealers.

11.4 Electric motor and wheels

The electric motor is maintenance-free.

The wheel bearings are maintenance-free.

11.5 Storage and winter break

Store the machine in a dry and locked place that is generally free of dust. Make sure that it is kept out of the reach of children.

Always store the machine in good operational condition.

Keep all nuts, pins and bolts tightly fastened, replace danger signs and warnings on the machine that have become illegible, check the entire machine for wear and damage. Replace all worn or damaged parts.

Any machine faults must be completely remedied prior to storage.

Note the following points when storing the machine for long periods (winter break):

- Clean all external parts of the machine with care.
- Thoroughly lubricate/grease all moving parts.

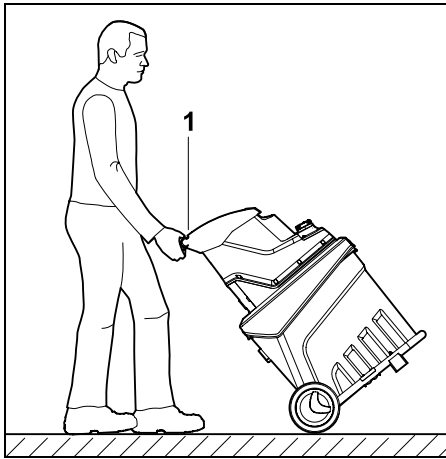
12. Transport



Risk of injury!


Before transporting, carefully read and observe the section "For your safety", in particular the "Transporting the machine" section. (⇒ 4.4)

12.1 Pulling or pushing the garden shredder



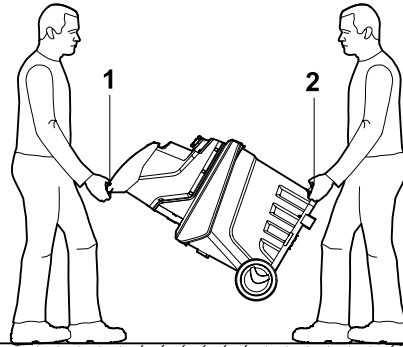
- Hold the garden shredder at the handle (1) and tilt to the rear.
- The garden shredder can be pulled or pushed slowly (walking pace).

12.2 Lifting or carrying the garden shredder

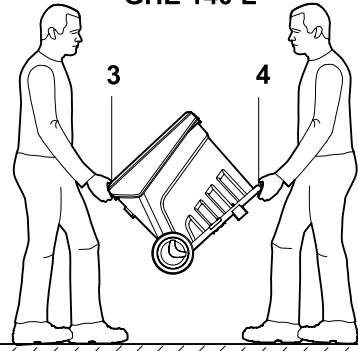
 At least two persons are always required to lift and carry the machine.

Wear suitable protective clothing; the lower arms and upper part of the body must be fully covered.

GHE 135 L, GHE 140 L




GHE 140 L



- Insert the shredder bag and lock in place. (⇒ 10.5)
- 1st person: Hold the garden shredder at the handle (1).
- 2nd person: Hold the garden shredder at the left and right of the wheel carrier (2) in front of the two feet.
- Lift the garden shredder simultaneously.

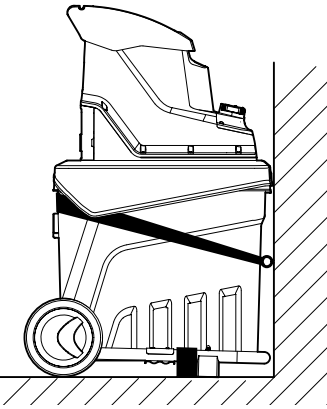
GHE 140 L:

 The garden shredder can also be carried in the folded-in condition.

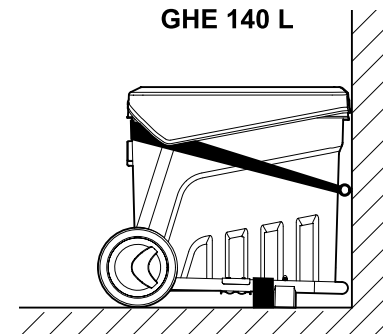
- 1st person: Hold the garden shredder at the handle (3) of the shredder bag.
- 2nd person: Hold the garden shredder at the left and right of the tubular stand in front of the two feet (4).
- Lift the garden shredder simultaneously.

12.3 Transporting the garden shredder on a load floor

GHE 135 L, GHE 140 L



GHE 140 L



- Secure the machine against slipping using suitable fastening materials. Attach ropes or straps to wheel carrier (1) or feed chute (2).

13. Minimising wear and preventing damage

Important information on maintenance and care of the product group

Electric garden shredder (STIHL GHE)

STIHL assumes no liability for material or personal damage caused by the non-observance of information contained in the operating instructions, in particular with regard to safety, operation and maintenance, or which arise through the use of unauthorised attachment or spare parts.

Please always observe the following important information for the prevention of damage or excessive wear to your STIHL machine:

1. Wearing parts

Some parts of the STIHL machine are subject to normal wear even when used properly and must be replaced in due time depending on type and duration of use.

These include:

- Counterplate
- Blade roller
- Carbon brushes

2. Compliance with the information in this instruction manual

The STIHL machine must be used, maintained and stored with the care described in this instruction manual. Any damage caused by non-compliance with

the safety, operating and maintenance instructions is the sole responsibility of the user.

This applies in particular to:

- Inadequately dimensioned power cables (cross section)
- Incorrect electrical connection (voltage)
- Product modifications not approved by STIHL
- Use of tools or accessories which are not approved or suitable for the machine, or are of inferior quality
- Improper use of the product
- Use of the product for sporting or competitive events
- Resultant damage due to continued use of the product with defective components.

3. Maintenance operations

All operations listed in the section "Maintenance" must be performed regularly.

If these maintenance operations cannot be carried out by the user, a specialist dealer must be commissioned to perform them.

STIHL recommends that you have maintenance operations and repairs performed exclusively by a STIHL specialist dealer.

STIHL specialist dealers regularly attend training courses and are provided with technical information.

If these operations are neglected, faults may arise which are the responsibility of the user.

These include:

- Damage to the motor as a result of inadequate cleaning of the cooling air guide (inlet slots, cooling ribs, fan wheel).
- Corrosive and other resultant damage caused by incorrect storage.
- Damage to the machine through the use of inferior-quality spare parts.
- Damage due to untimely or inadequate maintenance or damage due to maintenance or repair work not performed in the workshops of specialist dealers.

14. Environmental protection



Shredding material should be composted and not disposed of in household waste.

The machine, its packaging and accessories are all produced from recyclable materials and must be disposed of accordingly.

By disposing of materials separately, and in an environmentally friendly manner, valuable resources can be re-used. For this reason, the machine should be disposed of for recycling at the end of its useful life.

15. Technical specifications

GHE 135.0 L, GHE 140.0 L:

Motor, design	Electric motor
Rated voltage	230 V~
Frequency	50 Hz
Nominal roller speed	40 rpm
Main fuse	10 A

GHE 135.0 L, GHE 140.0 L:

Protection class	II
Type of protection	Splash proof (IP X4)
Operating conditions	P40
	40 s load time 60 s idle time
L/W/H	64/49/96 cm

GHE 135.0 L:

In accordance with Directive 2000/14/EC:

Guaranteed sound power level L_{WA_d}	94 dB(A)
---	----------

In accordance with Directive 2006/42/EC:

Sound pressure level at workplace L_{pA}	87 dB(A)
Uncertainty K_{pA}	3 dB(A)

Power	2000 W
Amperage rating	10 A
Nominal motor speed	21000 rpm
Weight	23 kg

GHE 140.0 L:

In accordance with Directive 2000/14/EC:

Guaranteed sound power level L_{WA_d}	93 dB(A)
---	----------

In accordance with Directive 2006/42/EC:

Sound pressure level at workplace L_{pA}	85 dB(A)
Uncertainty K_{pA}	3 dB(A)

Power	2000 W
Amperage rating	10 A
Nominal motor speed	21000 rpm
Weight	24 kg

16. Troubleshooting

✂ If necessary, contact a specialist dealer; STIHL recommends STIHL specialist dealers.

Fault:

Motor does not start

Possible cause:

- Shredder box not inserted and locked in place
- Motor overload protection activated
- No mains voltage
- Connector/Connection cable, plug, plug connector or switch defective

Remedy:

- Insert shredder box and lock in place (⇒ 10.5)
- Allow machine to cool down (⇒ 8.6)
- Check power cable and fuse ✂ (⇒ 10.1)
- Check cable, plugs, connector and switch and replace if necessary (by electrician) ✂ (⇒ 10.1)

Fault:

Shredding material is not drawn in

Possible cause:

- Blade roller is blocked

Remedy:

- Remove blockage (⇒ 10.9)

Fault:

Shredding material is not cut

Possible cause:

- Counterplate on the blade roller not properly adjusted

- Blade roller worn or damaged

Remedy:

- Adjusting the counterplate (⇒ 11.1)
- Replace blade roller and counterplate ✂

Fault:

Motor is humming, machine does not start

Possible cause:

- Blade roller is blocked

Remedy:

- Remove blockage (⇒ 10.9)

Fault:

Abnormal noises, machine rattles

Possible cause:

- Screws loose
- Blade roller worn or damaged

Remedy:

- Check that all screws are securely seated; tighten loose screws
- Replace blade roller and counterplate ✂

Fault:

Shredding material is not ejected

Possible cause:

- Ejection chute obstructed by incorrectly positioned rubber cover

Remedy:

- Install rubber cover correctly (⇒ 7.2)

NE

17. Service schedule

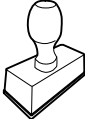
17.1 Handover confirmation

Model: _____

Serial number:

--	--	--	--	--	--	--	--	--

Date: |_|_| |_|_| |_|_|



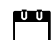
Next service


Date: |_|_| |_|_| |_|_|

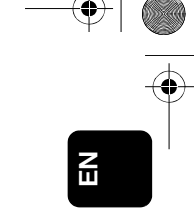
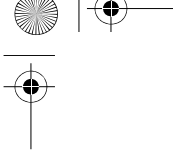
17.2 Service confirmation



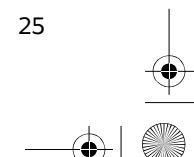
Please hand this instruction manual to your STIHL specialist dealer in the case of maintenance operations. He will confirm the service operations performed in the pre-printed boxes.

 Service performed on

 Next service date



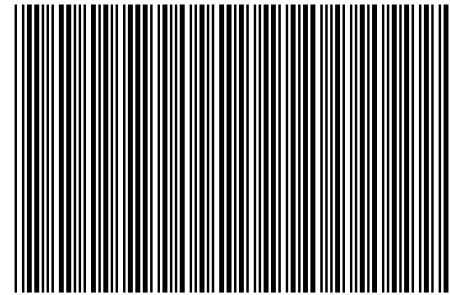
0478 201 8312 B - EN



25

STIHL GHE 135 L, GHE 140 L

STIHL[®]



0478 201 8312 B

B

AUS/NZ